

CATALOG

Enclosed switches

eOT Enclosed disconnect switches and Manual motor controllers



The next generation of enclosed disconnect switches



General information

The eOT series of enclosed manual motor controllers are rotary operated, 3 pole, 600V Hp rated switches, housed in thermoplastic/polycarbonate, steel sheet or stainless steel sheet enclosures. They are suitable for wet and corrosive environments.

Plastic enclosed disconnect switches, from 16 up to 80 Amperes

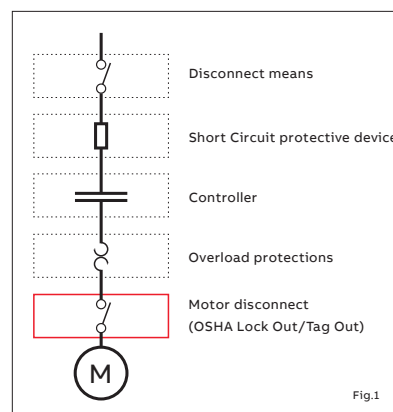
- UL/NEMA 3R/12 and NEMA 4/4X versions
- 2 Handle color options, selector or pistol type
 - Standard black handle
 - Emergency red/yellow handle
- Available with and without 1 NO auxiliary contact installed

Steel sheet enclosed disconnect switches, from 16 up to 100 Amperes

- UL/NEMA 1 and NEMA 3R/12 versions
- Black color, selector or pistol type handle

Stainless steel sheet enclosed disconnect switches, from 16 up to 100 Amperes

- UL/NEMA 4/4X versions
- Metallic or black plastic pistol type handles



eOT products are properly installed on the load side of a branch circuit protective device and are suitable for use as motor disconnects as illustrated in Fig. 1.

IEC ratings

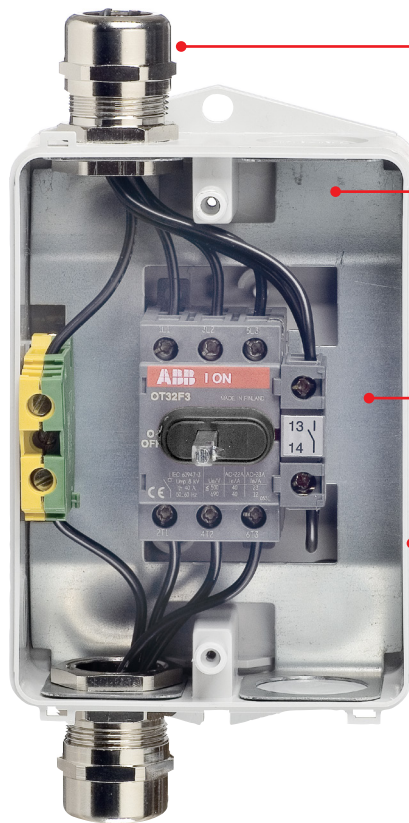
The NEMA3 and NEMA4/4X types are all double rated, both for the UL standard and the IEC standard. This allows the products to be used by the countries applying these standards. The rated values are presented in this brochure and on the rating plate for each product.

Cutting edge design and technology

eOT ensures reliable switching time after time

Outstanding features

- cUL approval, UL508 Listed, UL98
- Suitable as motor disconnect
- Horsepower rated
- Touch safe construction
- Positive operation
- Clear position indication
- Self lifting tunnel terminals
- Extremely compact size
- Accessories
 - 4th Power pole
 - Snap-on auxiliary contacts



Clean and simple installation

Combination conduit knockouts are provided on the top and bottom of the enclosure.

Metallic base plate electrically bonds together all conduit hubs installed in the top and bottom of the enclosure - additional conduit bonding jumpers are not required.

Enclosure installs flush on mounting surface, reducing the accumulation of dirt behind the enclosure.

Sealed enclosure cover is water tight, suitable for hose-down environments (Type 4X version only).

Manual switch-disconnectors OT16...100, UL

Technical data for motor controllers and enclosed disconnect switches

Technical data according to UL/CSA, AC ratings

Switch type			EOT16		EOT25		EOT32		EOT45		EOT63		EOT30		EOT60		EOT100		
		Approval	cUL _{us} Listed		cUL _{us} Listed		cUL _{us} Listed		cUL _{us} Listed		cUL _{us} Listed		cUL _{us} Listed		cUL _{us} Listed		cUL _{us} Listed		
		Compliance	E63822		E63822		E63822		E63822		E63822		E101914		E101914		E101914		
			UL508		UL508		UL508		UL508		UL508		UL98		UL98		UL98		
			CSA C22.2 No.14		CSA C22.2 No.14		CSA C22.2 No.14		CSA C22.2 No.14		CSA C22.2 No.14		CSA C22.2 No.4		CSA C22.2 No.4		CSA C22.2 No.4		
General purpose amp rating	pf= 0.7...0.8	-40° to 40 °C	16 A		25 A		40 A		60 A		80 A		30 A		60 A		100 A		
Max. operating voltage			600 V		600 V		600 V		600 V		600 V		600 V		600 V		600 V		
Max. horsepower rating / motor FLA current	pf= 0.4...0.5	240 V	5 HP/15.2 A		7.5 HP/22.0 A		10 HP/28.0 A		15 HP/42.0 A		20 HP/54.0 A		10 HP/28.0 A		20 HP/54.0 A		30 HP/80.0 A		
		480 V	10 HP/14.0 A		15 HP/21.0 A		20 HP/27.0 A		30 HP/40.0 A		40 HP/52.0 A		20 HP/27.0 A		40 HP/52.0 A		50 HP/65.0 A		
	Three phase	600 V	10 HP/11.0 A		20 HP/22.0 A		25 HP/27.0 A		30 HP/32.0 A		40 HP/41.0 A		30 HP/32.0 A		40 HP/41.0 A		50 HP/52.0 A		
		Single phase	120 V	1 HP/16.0 A		1.5 HP/20.0 A		2 HP/24.0 A		2 HP/24.0 A		2 HP/24.0 A		2 HP/24.0 A		3 HP/34.0 A		5 HP/56.0 A	
			240 V	2 HP/12.0 A		3 HP/17.0 A		5 HP/28.0 A		7.5 HP/40.0 A		10 HP/50.0 A		5 HP/28.0 A		7.5 HP/40.0 A		15 HP/68.0 A	
			480 V	5 HP/14.0 A		7.5 HP/21.0 A		10 HP/26.0 A		15 HP/34.0 A		20 HP/44.0 A		-		-		25 HP/55.0 A	
	600 V	7.5 HP/16.0 A		10 HP/20.0 A		15 HP/27.0 A		15 HP/27.0 A		20 HP/38.5 A		-		-		20 HP/35.0 A			
Short circuit rating with fuse	Maximum fuse size		30 A	60 A	30 A	60 A	30 A	60 A	100 A	150 A	100 A	150 A	60 A	60 A	150 A	100 A			
		Fuse type	J	10 kA	10 kA	10 kA	10 kA	10 kA	10 kA	100 kA	-	100 kA	-	200 kA	200 kA	50 kA	200 kA		
	Fuse type	T	10 kA	10 kA	10 kA	10 kA	10 kA	10 kA	100 kA	-	100 kA	-	200 kA	200 kA	50 kA	200 kA			
	Fuse type	RK1	10 kA	-	10 kA	-	10 kA	-	-	-	-	-	-	-	-	-			
	Fuse type	RK5*	5 kA	5 kA	5 kA	5 kA	5 kA	5 kA	10 kA	5 kA	10 kA	5 kA	-	-	-	-			
	Fuse type	L	-	-	-	-	-	-	-	-	-	-	-	-	-	-			
	Fuse type	H	-	-	-	-	-	-	-	5 kA	-	5 kA	-	-	-	-			

Endurances

Min. electrical endurance, pf. 0.75...0.8			6 000 Oper.		6 000 Oper.		6 000 Oper.		6 000 Oper.		6 000 Oper.		6 000 Oper.		6 000 Oper.		6 000 Oper.	
Mechanical endurance			20 000 Oper.		20 000 Oper.		20 000 Oper.		20 000 Oper.		20 000 Oper.		20 000 Oper.		20 000 Oper.		20 000 Oper.	
Terminal lugs			integrated		integrated		integrated		integrated		integrated		integrated		integrated		integrated	
Copper wire range		60-75 °C	18-8 AWG		18-8 AWG		18-8 AWG		14-4 AWG		14-4 AWG		14-4 AWG		14-4 AWG		8-1/0 AWG	
Torque		Wire tightening	0.8 Nm/ 7 lb.in		0.8 Nm/ 7 lb.in		0.8 Nm/ 7 lb.in		2 Nm/ 18 lb.in		2 Nm/ 18 lb.in		6.2 Nm/ 55 lb.in		6.2 Nm/ 55 lb.in		6.2 Nm/ 55 lb.in	

Auxiliary Contacts

Auxiliary Contacts	Plastic enclosure	OA1G_or OA2G11	OA1G_or OA2G11	OA1G_or OA2G11	OA1G_or OA2G11	OA1G_or OA2G11	OA1G_or OA2G11	OA1G_or OA2G11	OA1G_or OA2G11	OA1G_or OA2G11	OA1G_or OA2G11	OA1G_or OA2G11	OA1G_or OA2G11	OA1G_or OA2G11	OA1G_or OA2G11	OA1G_or OA2G11	OA1G_or OA2G11	OA1G_or OA2G11
	Metallic enclosure	OA1G_	OA1G_	OA1G_	OA1G_	OA1G_	OA1G_	OA1G_	OA1G_	OA1G_	OA1G_	OA1G_	OA1G_	OA1G_	OA1G_	OA1G_	OA1G_	OA1G_
NEMA ratings, AC		AC600	AC600	AC600	AC600	AC600	AC600	AC600	AC600	AC600	AC600	AC600	AC600	AC600	AC600	AC600	AC600	AC600
	AC rated voltage	600 VAC	600 VAC	600 VAC	600 VAC	600 VAC	600 VAC	600 VAC	600 VAC	600 VAC	600 VAC	600 VAC	600 VAC	600 VAC	600 VAC	600 VAC	600 VAC	600 VAC
	AC rated thermal current	10 A	10 A	10 A	10 A	10 A	10 A	10 A	10 A	10 A	10 A	10 A	10 A	10 A	10 A	10 A	10 A	10 A
	AC maximum volt-ampere making	7200 VAC	7200 VAC	7200 VAC	7200 VAC	7200 VAC	7200 VAC	7200 VAC	7200 VAC	7200 VAC	7200 VAC	7200 VAC	7200 VAC	7200 VAC	7200 VAC	7200 VAC	7200 VAC	7200 VAC
	AC maximum volt-amperage breaking	720 VAC	720 VAC	720 VAC	720 VAC	720 VAC	720 VAC	720 VAC	720 VAC	720 VAC	720 VAC	720 VAC	720 VAC	720 VAC	720 VAC	720 VAC	720 VAC	720 VAC
NEMA ratings, DC		R300	R300	R300	R300	R300	R300	R300	R300	R300	R300	R300	R300	R300	R300	R300	R300	R300
	DC rated voltage	300 VDC	300 VDC	300 VDC	300 VDC	300 VDC	300 VDC	300 VDC	300 VDC	300 VDC	300 VDC	300 VDC	300 VDC	300 VDC	300 VDC	300 VDC	300 VDC	300 VDC
	DC thermal rated current	1 A	1 A	1 A	1 A	1 A	1 A	1 A	1 A	1 A	1 A	1 A	1 A	1 A	1 A	1 A	1 A	1 A
	DC maximum make-break	28 VA	28 VA	28 VA	28 VA	28 VA	28 VA	28 VA	28 VA	28 VA	28 VA	28 VA	28 VA	28 VA	28 VA	28 VA	28 VA	28 VA
Torque: wire tightening		7 lbs. in	7 lbs. in	7 lbs. in	7 lbs. in	7 lbs. in	7 lbs. in	7 lbs. in	7 lbs. in	7 lbs. in	7 lbs. in	7 lbs. in	7 lbs. in	7 lbs. in	7 lbs. in	7 lbs. in	7 lbs. in	7 lbs. in
Wire Range		#18-14	#18-14	#18-14	#18-14	#18-14	#18-14	#18-14	#18-14	#18-14	#18-14	#18-14	#18-14	#18-14	#18-14	#18-14	#18-14	#18-14

¹⁾ Fuse size 70A for RK5

Technical data IEC

Manual motor controllers

Manual motor controllers type EOT_

Data according to IEC 60947-3	Switch size	16	25	32	45	63
Plastic enclosed		EOT16U_P3/4_	EOT25U_P3/4_	EOT32U_P3/4_	EOT45U_P3/4_	EOT63U_P3/4_
Steel sheet enclosed		EOT16U_M3/4_	EOT25U_M3/4_	EOT32U_M3/4_	EOT45U_M3/4_	EOT63U_M3/4_
Stainless steel sheet enclosed		EOT16U_S3/4_	EOT25U_S3/4_	EOT32U_S3/4_	EOT45U_S3/4_	EOT63U_S3/4_
Rated Insulation voltage		750 V	750 V	750 V	750 V	750 V
Rated thermal current	40°C	25 A	32 A	40 A	63 A	80 A
	60°C	20 A	25 A	32 A	50 A	63 A
Rated operational current, AC-22A	230V	16 A	25 A	40 A	63 A	80 A
	400V	16 A	25 A	40 A	63 A	80 A
	690V	16 A	25 A	40 A	63 A	80 A
Rated operational current, AC-23A	230V	16 A	20 A	23 A	63 A	75 A
	400V	16 A	20 A	23 A	45 A	58 A
	690V	10 A	11 A	12 A	20 A	20 A
"Rated conditional short-circuit current r.m.s and corresponding cut-off current of the fuse in single-phase test according to IEC60269"	"50kA, 400V ¹⁾ "	6,5 kA	6,5 kA	6,5 kA	13,0 kA	13,0 kA
	Fuse size:	40A gG/32A aM	40A gG/32A aM	40A gG/32A aM	100A gG/80A aM	100A gG/80A aM
	"50kA, 690V ¹⁾ "	4 kA	4 kA	4 kA	11 kA	11 kA
	Fuse size:	25A gG/16A aM	80A gG/63A aM	80A gG/63A aM	63A gG/63A aM	63A gG/63A aM
Used switch type		OT16_	OT25_	OT40_	OT63_	OT80_
Cable size		0.75...10 mm ²	0.75...10 mm ²	0.75...10 mm ²	1.5...35 mm ²	1.5...35 mm ²

The NEMA3 and NEMA4_ types are both UL and IEC rated.

To be noted that the NEMA1 types are not IEC rated.

Technical data IEC

Enclosed disconnect switches

Enclosed disconnect switches type EOT_

Data according to IEC 60947-3	Switch size	30	60	100
Plastic enclosed		EOT30U_P3/4_	EOT60U_P3/4_	EOT100U_P3/4_
Steel sheet enclosed		EOT30U_M3/4_	EOT60U_M3/4_	EOT100U_M3/4_
Stainless steel sheet enclosed		EOT30U_S3/4_	EOT60U_S3/4_	EOT100U_S3/4_
Rated Insulation voltage		750 V	750 V	750 V
Rated thermal current	40°C	40 A	63 A	115 A
	60°C	32 A	50 A	80 A
Rated operational current, AC-22A	230V	40 A	63 A	100 A
	400V	40 A	63 A	100 A
	690V	40 A	63 A	100 A
Rated operational current, AC-23A	230V	40 A	63 A	80 A
	400V	40 A	63 A	80 A
	690V	40 A	40 A	40 A
"Rated conditional short-circuit current r.m.s and corresponding cut-off current of the fuse in single-phase test according to IEC60269"	"50kA, 400V ¹⁾ "	16,5 kA	16,5 kA	16,5 kA
	Fuse size:	125A gG/125A aM	125A gG/125A aM	125A gG/125A aM
	"50kA, 690V ¹⁾ "	10 kA	10 kA	10 kA
	Fuse size:	125A gG/100A aM	125A gG/100A aM	125A gG/100A aM
Used switch type		OT30_	OT60_	OT100_
Cable size		2.5...25 mm ²	2.5...25 mm ²	10...70 mm ²

¹⁾The NEMA3 and NEMA4_ types are both UL and IEC rated.

To be noted that the NEMA1 types are not IEC rated.

Ordering information

Plastic enclosed manual motor controller



EOT16/32_S



EOT45_S



EOT45_P



EOT63_P

3-pole manual motor controllers

Amp rating	Handle type	Handle color	Auxiliary contacts	Catalog number	Weight/ unit
[A]					[[lb]/[kg]]
UL/NEMA 3R, 12					
16	Selector	Black	-	EOT16U3P3-S	1.21 / 0.55
16	Selector	Black	1 NO	EOT16U3P3-1S	1.3 / 0.59
16	Selector	Red/Yellow	-	EOT16U3P3-S1	1.21 / 0.55
16	Selector	Red/Yellow	1 NO	EOT16U3P3-1S1	1.3 / 0.59
40	Selector	Black	-	EOT32U3P3-S	1.21 / 0.55
40	Selector	Black	1 NO	EOT32U3P3-1S	1.30 / 0.59
40	Selector	Red/Yellow	-	EOT32U3P3-S1	1.21 / 0.55
40	Selector	Red/Yellow	1 NO	EOT32U3P3-1S1	1.30 / 0.59
60	Selector	Black	-	EOT45U3P3-S	2.42 / 1.10
60	Selector	Black	1 NO	EOT45U3P3-1S	2.49 / 1.13
60	Selector	Red/Yellow	-	EOT45U3P3-S1	2.42 / 1.10
60	Selector	Red/Yellow	1 NO	EOT45U3P3-1S1	2.49 / 1.13
80	Pistol	Black	-	EOT63U3P3-P	4.65 / 2.11
80	Pistol	Black	1 NO	EOT63U3P3-1P	4.71 / 2.14
80	Pistol	Red/Yellow	-	EOT63U3P3-P1	4.65 / 2.11
80	Pistol	Red/Yellow	1 NO	EOT63U3P3-1P1	4.71 / 2.14
UL/NEMA 4X					
16	Pistol	Black	-	EOT16U3P4-P	1.37 / 0.62
16	Pistol	Black	1 NO	EOT16U3P4-1P	1.45 / 0.66
16	Pistol	Red/Yellow	-	EOT16U3P4-P1	1.37 / 0.62
16	Pistol	Red/Yellow	1 NO	EOT16U3P4-1P1	1.45 / 0.66
40	Pistol	Black	-	EOT32U3P4-P	1.37 / 0.62
40	Pistol	Black	1 NO	EOT32U3P4-1P	1.45 / 0.66
40	Pistol	Red/Yellow	-	EOT32U3P4-P1	1.37 / 0.62
40	Pistol	Red/Yellow	1 NO	EOT32U3P4-1P1	1.45 / 0.66
40	Pistol	Black	1NO+1NC	EOT32U3P4-2P	1.37 / 0.62
40	Pistol	Black	1NO+1NC	EOT32U3P4-5P ¹⁾	1.45 / 0.66
60	Pistol	Black	-	EOT45U3P4-P	2.53 / 1.15
60	Pistol	Black	1 NO	EOT45U3P4-1P	2.60 / 1.18
60	Pistol	Red/Yellow	-	EOT45U3P4-P1	2.53 / 1.15
60	Pistol	Red/Yellow	1 NO	EOT45U3P4-1P1	2.60 / 1.18
80	Pistol	Black	-	EOT63U3P4-P	4.65 / 2.11
80	Pistol	Black	1 NO	EOT63U3P4-1P	4.71 / 2.14
80	Pistol	Red/Yellow	-	EOT63U3P4-P1	4.65 / 2.11
80	Pistol	Red/Yellow	1 NO	EOT63U3P4-1P1	4.71 / 2.14

¹⁾ Contains aux.contact OA2G11

Ordering information

Plastic enclosed manual motor controller



EOT16U4P3-P



EOT16U4P3-S1



EOT32U4P3-S



EOT45U4P4-1P

4-pole manual motor controllers

Amp rating [A]	Handle type	Handle color	Auxiliary contacts	Catalog number	Weight/ unit [lb]/[kg]
UL/NEMA 3R, 12					
16	Pistol	Black	-	EOT16U4P3-P	1.43 / 0.65
16	Pistol	Red/Yellow	-	EOT16U4P3-P1	1.43 / 0.65
16	Selector	Black	-	EOT16U4P3-S	1.28 / 0.58
16	Selector	Red/Yellow	-	EOT16U4P3-S1	1.28 / 0.58
25	Selector	Black	-	EOT25U4P3-S	1.28 / 0.58
25	Selector	Red/Yellow	-	EOT25U4P3-S1	1.28 / 0.58
40	Pistol	Black	-	EOT32U4P3-P	1.43 / 0.65
40	Selector	Black	-	EOT32U4P3-S	1.28 / 0.58
UL/NEMA 4X					
16	Pistol	Black	-	EOT16U4P4-P	1.43 / 0.65
16	Pistol	Red/Yellow	-	EOT16U4P4-P1	1.43 / 0.65
40	Pistol	Black	-	EOT32U4P4-P	1.43 / 0.65
40	Pistol	Red/Yellow	-	EOT32U4P4-P1	1.43 / 0.65
60	Pistol	Black	1 NO	EOT45U4P4-1P	2.73 / 1.24
80	Pistol	Black	1 NO	EOT63U4P4-1P	4.85 / 2.20

Ordering information

Steel sheet enclosed manual motor controller

NEMA 1



EOT16/32_1-S

NEMA 3R 12



EOT16/32_3-S



EOT16/32_3-P



EOT/45/63_3-S

3-pole manual motor controllers

Amp rating [A]	Handle type	Handle color	Auxiliary contacts	Catalog number	Weight/ unit [lb]/[kg]
UL/NEMA 1					
16	Pistol	Black	-	EOT16U3M1-P	4.63 / 2.10
16	Selector	Black	-	EOT16U3M1-S	4.63 / 2.10
16	Selector	Black	1 NO	EOT16U3M1-1S	4.63 / 2.10
40	Pistol	Black	-	EOT32U3M1-P	4.63 / 2.10
40	Selector	Black	-	EOT32U3M1-S	4.63 / 2.10
60	Pistol	Black	-	EOT45U3M1-P	6.17 / 2.80
60	Selector	Black	-	EOT45U3M1-S	6.17 / 2.80
80	Pistol	Black	-	EOT63U3M1-P	6.17 / 2.80
80	Selector	Black	-	EOT63U3M1-S	6.17 / 2.80
UL/NEMA 3R, 12					
16	Pistol	Black	-	EOT16U3M3-P	4.63 / 2.10
16	Selector	Black	-	EOT16U3M3-S	4.63 / 2.10
40	Pistol	Black	-	EOT32U3M3-P	4.63 / 2.10
40	Selector	Black	-	EOT32U3M3-S	4.63 / 2.10
60	Pistol	Black	-	EOT45U3M3-P	6.17 / 2.80
60	Selector	Black	-	EOT45U3M3-S	6.17 / 2.80
80	Pistol	Black	-	EOT63U3M3-P	6.17 / 2.80
80	Selector	Black	-	EOT63U3M3-S	6.17 / 2.80

Ordering information

Steel sheet enclosed disconnect switches

NEMA 1



EOT30/60/1-P



EOT100_1-P

NEMA 3R 12



EOT30/60/3-S



EOT100_3-P

3-pole disconnect switches

Amp rating	Handle type	Handle color	Auxiliary contacts	Catalog number	Weight/ unit
[A]					[lb]/[kg]
UL/NEMA 1					
30	Pistol	Black	-	EOT30U3M1-P	5.73 / 2.60
30	Selector	Black	-	EOT30U3M1-S	5.73 / 2.60
60	Pistol	Black	-	EOT60U3M1-P	8.59 / 3.90
60	Selector	Black	-	EOT60U3M1-S	8.59 / 3.90
100	Pistol	Black	-	EOT100U3M1-P	9.03 / 4.10
100	Selector	Black	-	EOT100U3M1-S	9.03 / 4.10
UL/NEMA 3R, 12					
30	Pistol	Black	-	EOT30U3M3-P	5.73 / 2.60
60	Pistol	Black	-	EOT60U3M3-P	8.59 / 3.90
100	Pistol	Black	-	EOT100U3M3-P	9.03 / 4.10

4-pole disconnect switches

Amp rating	Handle type	Handle color	Auxiliary contacts	Catalog number	Weight/ unit
[A]					[lb]/[kg]
UL/NEMA 1					
30	Pistol	Black	-	EOT30U4M1-P	5.73 / 2.60
60	Pistol	Black	-	EOT60U4M1-P	8.59 / 3.90
100	Pistol	Black	-	EOT100U4M1-P	9.03 / 4.10
UL/NEMA 3R, 12					
30	Pistol	Black	-	EOT30U4M3-P	5.73 / 2.60
60	Pistol	Black	-	EOT60U4M3-P	8.59 / 3.90
100	Pistol	Black	-	EOT100U4M3-P	9.03 / 4.10

Ordering information

Stainless steel enclosed manual motor controller



EOT16/32_P



EOT45/63_P



EOT16/32/45/63_M

3-pole manual motor controllers

Amp rating	Handle type	Handle color	Auxiliary contacts	Catalog number	Weight/ unit
[A]					[lb]/[kg]
UL/NEMA 4, 4X					
20	Pistol, metal	Stainless	-	EOT16U3S4-M	4.85 / 2.20
20	Pistol, plastic	Black	-	EOT16U3S4-P	4.63 / 2.10
40	Pistol, metal	Stainless	-	EOT32U3S4-M	4.85 / 2.20
40	Pistol, plastic	Black	1 NO	EOT32U3S4-1P	4.63 / 2.10
40	Pistol, plastic	Black	-	EOT32U3S4-P	4.63 / 2.10
60	Pistol, metal	Stainless	-	EOT45U3S4-M	6.39 / 2.90
60	Pistol, plastic	Black	-	EOT45U3S4-P	6.17 / 2.80
80	Pistol, metal	Stainless	-	EOT63U3S4-M	6.39 / 2.90
80	Pistol, plastic	Black	-	EOT63U3S4-P	6.17 / 2.80

4-pole manual motor controllers

Amp rating	Handle type	Handle color	Auxiliary contacts	Catalog number	Weight/ unit
[A]					[lb]/[kg]
UL/NEMA 4, 4X					
40	Pistol, metal	Stainless	-	EOT32U4S4-M	4.85 / 2.20

Ordering information

Stainless steel enclosed disconnect switches



EOT30/60_P



EOT30_M

3-pole disconnect switches

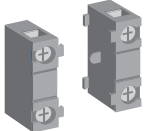
Amp rating	Handle type	Handle color	Auxiliary contacts	Catalog number	Weight/ unit
[A]					[lb]/[kg]
UL/NEMA 4, 4X					
30	Pistol, metal	Stainless	-	EOT30U3S4-M	5.73 / 2.60
30	Pistol, plastic	Black	-	EOT30U3S4-P	5.73 / 2.60
60	Pistol, plastic	Black	-	EOT60U3S4-P	8.59 / 3.90
100	Pistol, plastic	Black	-	EOT100U3S4-P	9.03 / 4.10

4-pole disconnect switches

Amp rating	Handle type	Handle color	Auxiliary contacts	Catalog number	Weight/ unit
[A]					[lb]/[kg]
UL/NEMA 4, 4X					
30	Pistol, plastic	Black	-	EOT30U4S4-P	5.73 / 2.60
60	Pistol, plastic	Black	-	EOT60U4S4-P	8.59 / 3.90

Ordering information

Accessories



OA1G
S00261A



OA2G
S01025A



OTP_40_
S00262A



OTP_80_
S00263A



OTP_60/125_
S01342A

Auxiliary contacts

Contact numbering according to EN 50013. AC thermal amp rating 10 A and AC rated voltage 600 V. The type and the ordering numbers are for one piece. IP20.

Maximum number of auxiliary contacts: 2NO+2NC, if fourth pole installed: 1NO+2NC OA2G11 suitable only for plastic enclosed disconnect switches, not mountable on same side as the fourth pole.

Function	Mounting to the side of the switch	Catalog number	Weight/ unit [kg]
			[lb]/[kg]
1NC	left	OA1G01	0.07 / 0.03
1NO	left	OA7G10	0.07 / 0.03
1NO	right	OA1G10	0.07 / 0.03
1NO+1NC	right	OA2G11	0.07 / 0.03

Fourth poles

Mountable on the side of the switch. Only one additional pole per switch.

AC rated voltage 600 V. The type and the ordering numbers are for one piece. IP20.

Suitable for switches	AC thermal amp rating	Catalog number	Weight/ unit [kg]
	[A]		[lb]/[kg]
Simultaneous function with the main contacts			
EOT16, EOT32	40	OTPS40FPN2	0.07 / 0.03
EOT30, EOT60	60	OTPS60FP	0.31 / 0.14
EOT45, EOT63	80	OTPS80FP	0.13 / 0.06
EOT100	100	OTPS125FP	0.31 / 0.14
Late-break and early-make			
EOT16, EOT32	40	OTPL40FP	0.07 / 0.03
EOT30, EOT60	60	OTPL60FP	0.31 / 0.14
EOT45, EOT63	80	OTPL80FP	0.13 / 0.06
EOT100	100	OTPL125FP	0.31 / 0.14
Solid neutral pole			
EOT16, EOT32	40	OTPN40FP	0.07 / 0.03
EOT30, EOT60	60	OTPN60FP	0.31 / 0.14
EOT45, EOT63	80	OTPN80FP	0.13 / 0.06
EOT100	100	OTPN125FP	0.31 / 0.14

Ordering information

Accessories



OH_S2AJ



OHB45L6



OHY45L6



OHB65L6



OHY65L6



OHM65L6

Handles

Selector type handles

NEMA 1, 3R, 12, (IP65) handles, padlockable with max. 3 padlocks with bail diameter 0.20...0.32" (5...8 mm), door interlock in ON-position, defeatable. Indication I-O and ON-OFF.

Color	Type	Weight/ unit
For shaft diameter 0.24 x 0.24" (6 mm).		kg
Black	OHB52AJ	0.15 / 0.07
Red-yellow	OHYS2AJ	0.15 / 0.07

Pistol type handles, plastic

NEMA 1,3R, 12, 4, 4X (IP 66) handles, padlockable with max. 3 padlocks with bail diameter 0.20...0.39" (5...10 mm) in OFF-position, door interlock in ON-position. Screw fixing from the back side of the handle. No screws on the front ensures double insulation. Indication I-O, ON-OFF.

Color	Handle length	Type	Weight/ unit
	[in/mm]		[kg]
Black	1.8/45	OHB45L6	0.29 / 0.13
Red-yellow	1.8/45	OHY45L6	0.29 / 0.13
Black	2.6/65	OHB65L6	0.29 / 0.13
Red-yellow	2.6/65	OHY65L6	0.29 / 0.13

Pistol type handles, stainless steel

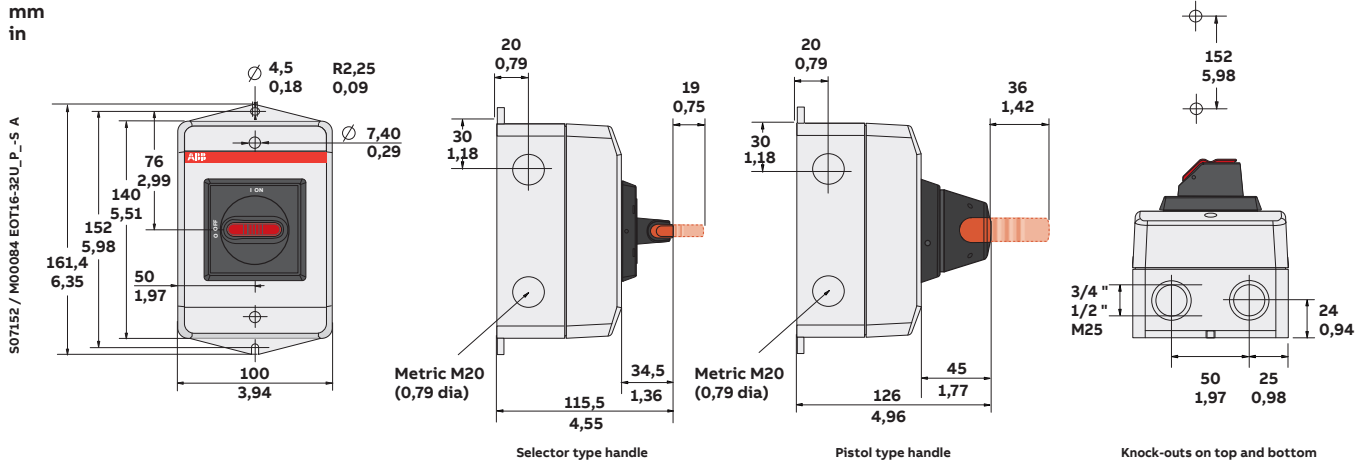
NEMA 1,3R, 12, 4, 4X (IP 66) handles, padlockable with max. 3 padlocks with bail diameter 0.20...0.39" (5...10 mm) in the OFF-position, door interlock in the ON-position. Indication I-O, ON-OFF.

Color	Handle length	Type	Weight/ unit
For shaft diameter 6 mm.			[kg]
316L stainless steel	2.6/65	OHM65L6	1.61 / 0.73
316L stainless steel	1.8/45	OHM45L6	1.43 / 0.65

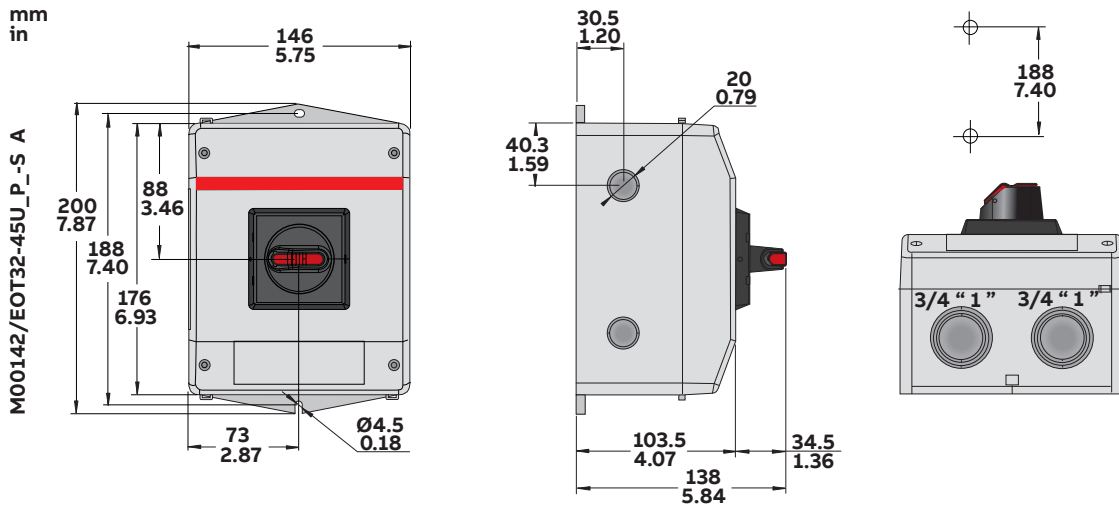
Dimension drawings

Plastic enclosed disconnect switches

eOT16_, eOT32_



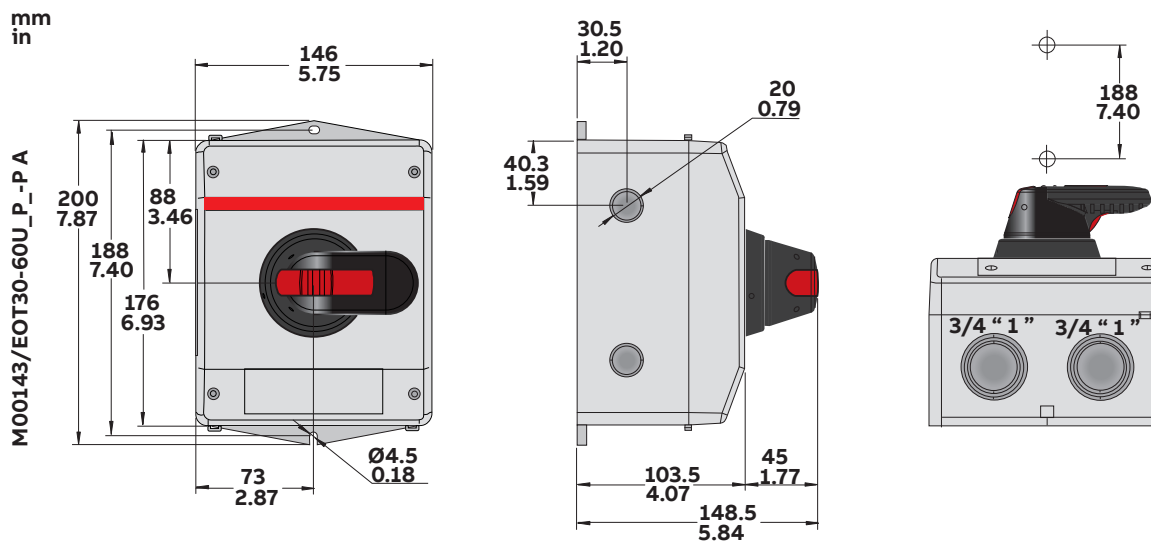
eOT45U_-S



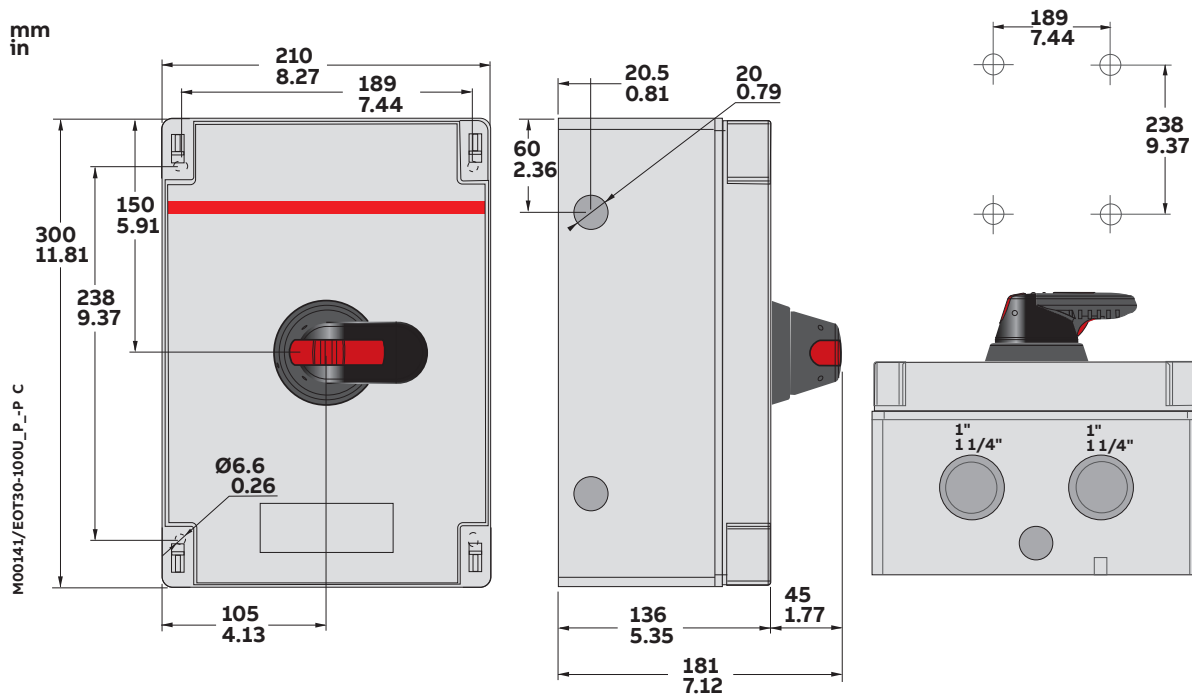
Dimension drawings

Plastic enclosed disconnect switches

eOT45U_-P



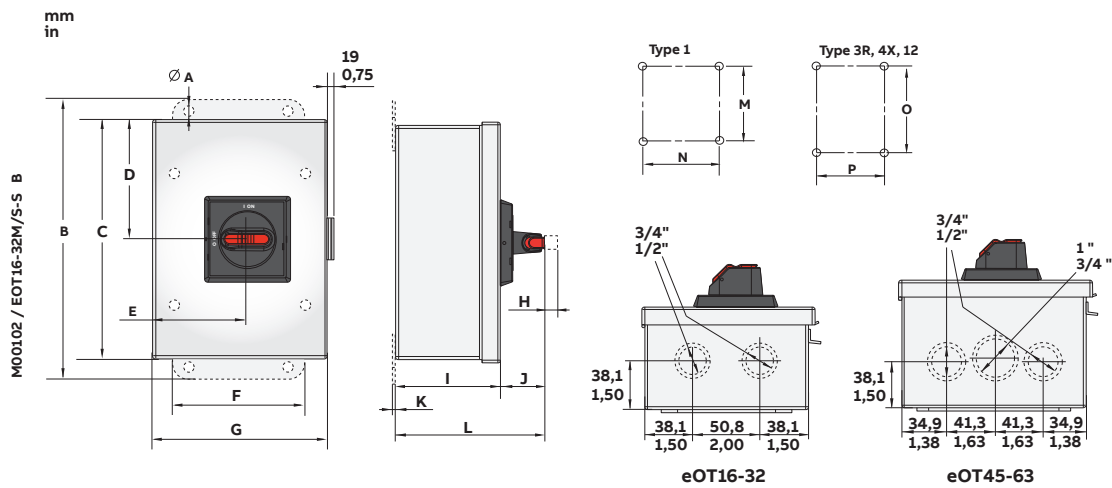
eOT63_



Dimension drawings

Sheet steel and stainless steel enclosed disconnect switches

eOT16/32_-S, eOT45-63_-S



Knock-outs in top and bottom of type 1 enclosures

eOT16-32

Dimension [mm/in]

A	B	C	D	E	F	G	H
7.9/0.31	215.9/8.50	183.4/7.22	91.7/3.61	73.7/2.90	101.6/4.00	134.1/5.28	19.0/0.75
I	J	K	L	M	N	O	P
83.3/3.28	35.5/1.36	2.80/0.11	117.9/4.64	101.6/4.0	101.6/4.0	196.9/7.75	76.2/3.00

eOT45-63

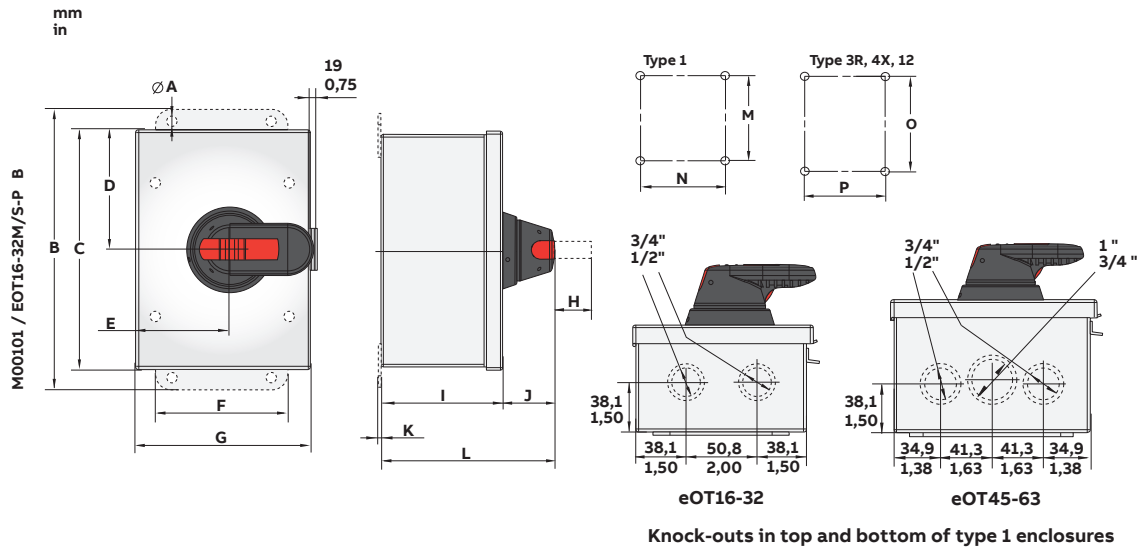
Dimension [mm/in]

A	B	C	D	E	F	G	H
7.9/0.31	241.3/9.50	208.8/8.22	104/4.11	86.1/3.39	127.0/5.00	159.5/6.28	19.0/0.75
I	J	K	L	M	N	O	P
108.7/4.28	34.5/1.36	2.8/0.11	143.3/5.64	127.0/5.0	127.0/5.0	222.3/8.75	101.6/4.00

Dimension drawings

Sheet steel and stainless steel enclosed disconnect switches

eOT16/32_-P/M, eOT45/63_-P/M



eOT16-32

Dimension [mm/in]

Handle code	A	B	C	D	E	F	G	H
-P	7.9/0.31	215.9/8.50	183.4/7.22	91.7/3.61	73.7/2.90	101.6/4.00	134.1/5.28	36.6/1.42
Handle code	I	J	K	L	M	N	O	P
-P	83.3/3.28	45.0/1.77	2.80/0.11	128.3/5.05	101.6/4.0	101.6/4.0	196.9/7.75	76.2/3.00

eOT16-32

Dimension [mm/in]

Handle code	A	B	C	D	E	F	G	H
-M	7.9/0.31	215.9/8.50	183.4/7.22	91.7/3.61	73.7/2.90	101.6/4.00	134.1/5.28	36.6/1.42
Handle code	I	J	K	L	M	N	O	P
-M	83.3/3.28	52.0/2.05	2.80/0.11	135.5/5.33	101.6/4.0	101.6/4.0	196.9/7.75	76.2/3.00

eOT45-63

Dimension [mm/in]

Handle code	A	B	C	D	E	F	G	H
-P	7.9/0.31	241.3/9.50	208.8/8.22	104/4.11	86.1/3.39	127.0/5.00	159.5/6.28	36.0/1.42
Handle code	I	J	K	L	M	N	O	P
-P	108.7/4.28	45.0/1.77	2.8/0.11	153.7/6.05	127.0/5.0	127.0/5.0	222.3/8.75	101.6/4.00

eOT45-63

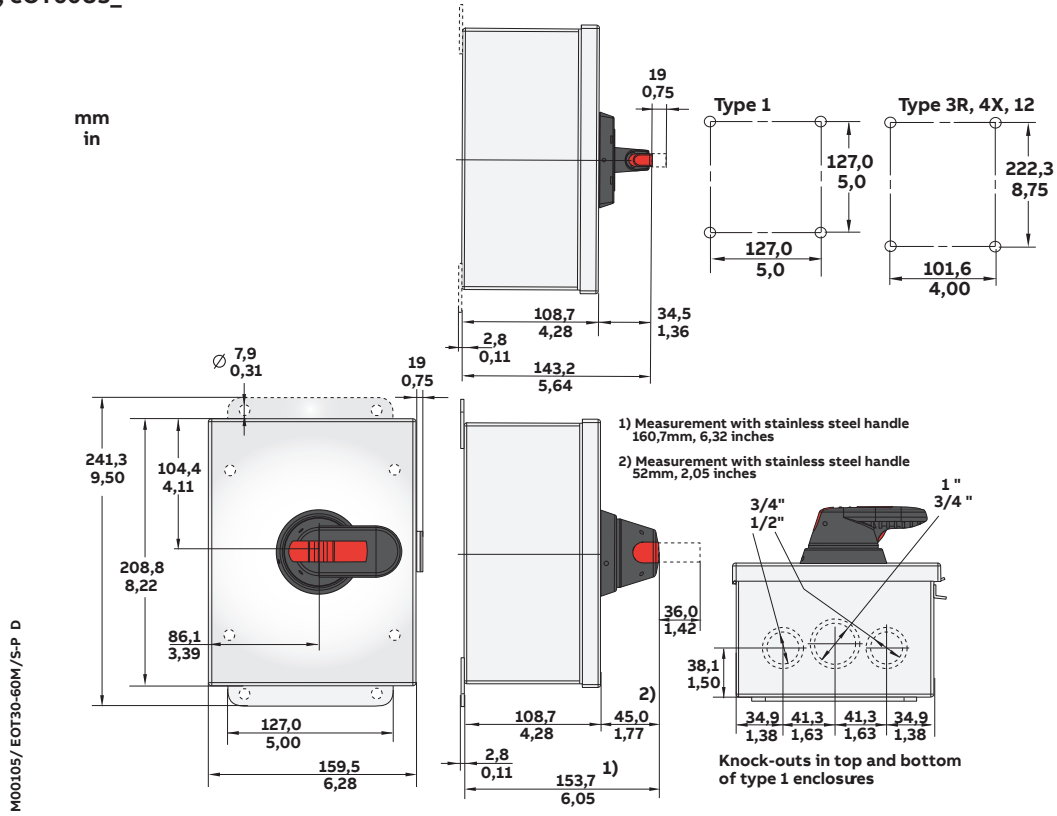
Dimension [mm/in]

Handle code	A	B	C	D	E	F	G	H
-M	7.9/0.31	241.3/9.50	208.8/8.22	104/4.11	86.1/3.39	127.0/5.00	159.5/6.28	36.0/1.42
Handle code	I	J	K	L	M	N	O	P
-M	108.7/4.28	52.0/2.05	2.8/0.11	160.7/6.32	127.0/5.0	127.0/5.0	222.3/8.75	101.6/4.00

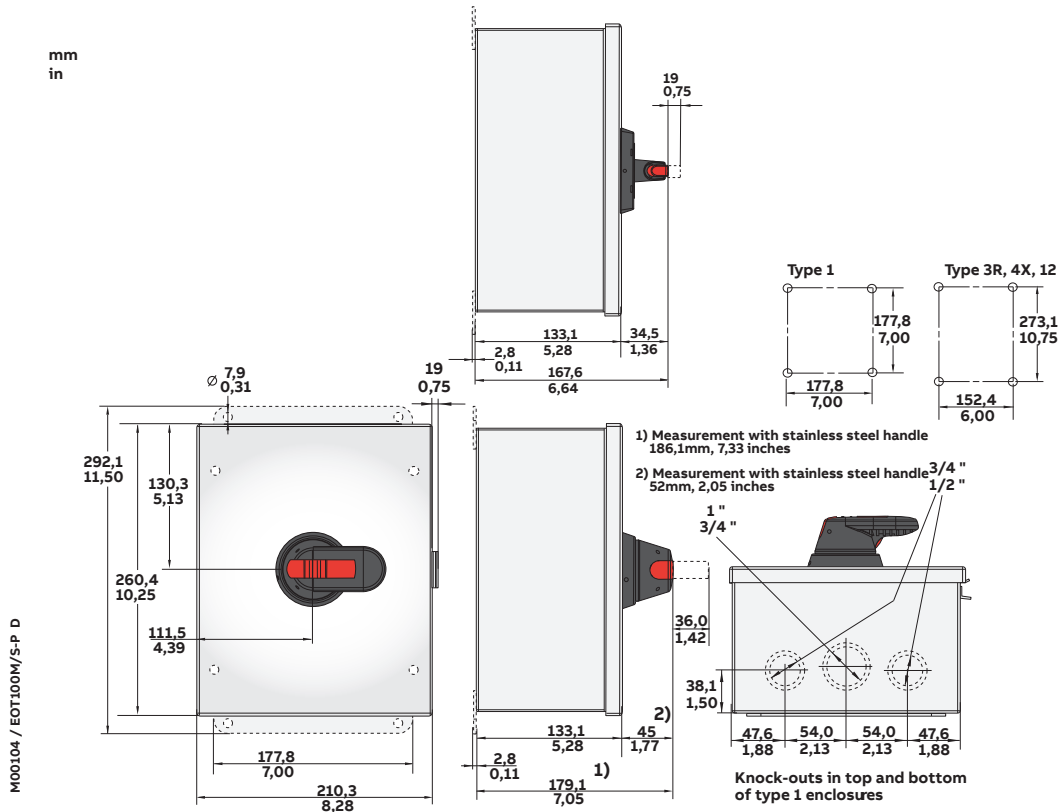
Dimension drawings

Sheet steel and stainless steel enclosed disconnect switches

eOT30U3_ eOT60U3_



eOT100_



Index

Type	Description	Page
EOT100U3M1-P	Steel sheet enclosed disconnect switches	10
EOT100U3M1-S	Steel sheet enclosed disconnect switches	10
EOT100U3M3-P	Steel sheet enclosed disconnect switches	10
EOT100U3S4-P	Stainless steel enclosed disconnect switches	12
EOT100U4M1-P	Steel sheet enclosed disconnect switches	10
EOT100U4M3-P	Steel sheet enclosed disconnect switches	10
EOT16U3M1-1S	Steel sheet enclosed manual motor controller	9
EOT16U3M1-P	Steel sheet enclosed manual motor controller	9
EOT16U3M1-S	Steel sheet enclosed manual motor controller	9
EOT16U3M3-P	Steel sheet enclosed manual motor controller	9
EOT16U3M3-S	Steel sheet enclosed manual motor controller	9
EOT16U3P3-1S	Plastic enclosed manual motor controller	7
EOT16U3P3-1S1	Plastic enclosed manual motor controller	7
EOT16U3P3-S	Plastic enclosed manual motor controller	7
EOT16U3P3-S1	Plastic enclosed manual motor controller	7
EOT16U3P4-1P	Plastic enclosed manual motor controller	7
EOT16U3P4-1P1	Plastic enclosed manual motor controller	7
EOT16U3P4-P	Plastic enclosed manual motor controller	7
EOT16U3P4-P1	Plastic enclosed manual motor controller	7
EOT16U3S4-M	Stainless steel enclosed manual motor controller	11
EOT16U3S4-P	Stainless steel enclosed manual motor controller	11
EOT16U4P3-P	Plastic enclosed manual motor controller	8
EOT16U4P3-P1	Plastic enclosed manual motor controller	8
EOT16U4P3-S	Plastic enclosed manual motor controller	8
EOT16U4P3-S1	Plastic enclosed manual motor controller	8
EOT16U4P4-P	Plastic enclosed manual motor controller	8
EOT16U4P4-P1	Plastic enclosed manual motor controller	8
EOT25U4P3-S	Plastic enclosed manual motor controller	8
EOT25U4P3-S1	Plastic enclosed manual motor controller	8
EOT30U3M1-P	Steel sheet enclosed disconnect switches	10
EOT30U3M1-S	Steel sheet enclosed disconnect switches	10
EOT30U3M3-P	Steel sheet enclosed disconnect switches	10
EOT30U3S4-M	Stainless steel enclosed disconnect switches	12
EOT30U3S4-P	Stainless steel enclosed disconnect switches	12
EOT30U4M1-P	Steel sheet enclosed disconnect switches	10
EOT30U4M3-P	Steel sheet enclosed disconnect switches	10
EOT30U4S4-P	Stainless steel enclosed disconnect switches	12
EOT32U3M1-P	Steel sheet enclosed manual motor controller	9
EOT32U3M1-S	Steel sheet enclosed manual motor controller	9
EOT32U3M3-P	Steel sheet enclosed manual motor controller	9
EOT32U3M3-S	Steel sheet enclosed manual motor controller	9
EOT32U3P3-1S	Plastic enclosed manual motor controller	7
EOT32U3P3-1S1	Plastic enclosed manual motor controller	7
EOT32U3P3-S	Plastic enclosed manual motor controller	7
EOT32U3P3-S1	Plastic enclosed manual motor controller	7
EOT32U3P4-1P	Plastic enclosed manual motor controller	7
EOT32U3P4-1P1	Plastic enclosed manual motor controller	7
EOT32U3P4-2P	Plastic enclosed manual motor controller	7
EOT32U3P4-5P	Plastic enclosed manual motor controller	7
EOT32U3P4-P	Plastic enclosed manual motor controller	7
EOT32U3P4-P1	Plastic enclosed manual motor controller	7
EOT32U3S4-1P	Stainless steel enclosed manual motor controller	11
EOT32U3S4-M	Stainless steel enclosed manual motor controller	11

Type	Description	Page
EOT32U3S4-P	Stainless steel enclosed manual motor controller	11
EOT32U4P3-P	Plastic enclosed manual motor controller	8
EOT32U4P3-S	Plastic enclosed manual motor controller	8
EOT32U4P4-P	Plastic enclosed manual motor controller	8
EOT32U4P4-P1	Plastic enclosed manual motor controller	8
EOT32U4S4-M	Stainless steel enclosed manual motor controller	11
EOT45U3M1-P	Steel sheet enclosed manual motor controller	9
EOT45U3M1-S	Steel sheet enclosed manual motor controller	9
EOT45U3M3-P	Steel sheet enclosed manual motor controller	9
EOT45U3M3-S	Steel sheet enclosed manual motor controller	9
EOT45U3P3-1S	Plastic enclosed manual motor controller	7
EOT45U3P3-1S1	Plastic enclosed manual motor controller	7
EOT45U3P3-S	Plastic enclosed manual motor controller	7
EOT45U3P3-S1	Plastic enclosed manual motor controller	7
EOT45U3P4-1P	Plastic enclosed manual motor controller	7
EOT45U3P4-1P1	Plastic enclosed manual motor controller	7
EOT45U3P4-P	Plastic enclosed manual motor controller	7
EOT45U3P4-P1	Plastic enclosed manual motor controller	7
EOT45U3S4-M	Stainless steel enclosed manual motor controller	11
EOT45U3S4-P	Stainless steel enclosed manual motor controller	11
EOT45U4P4-1P	Plastic enclosed manual motor controller	8
EOT60U3M1-P	Steel sheet enclosed disconnect switches	10
EOT60U3M1-S	Steel sheet enclosed disconnect switches	10
EOT60U3M3-P	Steel sheet enclosed disconnect switches	10
EOT60U3S4-P	Stainless steel enclosed disconnect switches	12
EOT60U4M1-P	Steel sheet enclosed disconnect switches	10
EOT60U4M3-P	Steel sheet enclosed disconnect switches	10
EOT60U4S4-P	Stainless steel enclosed disconnect switches	12
EOT63U3M1-P	Steel sheet enclosed manual motor controller	9
EOT63U3M1-S	Steel sheet enclosed manual motor controller	9
EOT63U3M3-P	Steel sheet enclosed manual motor controller	9
EOT63U3M3-S	Steel sheet enclosed manual motor controller	9
EOT63U3P3-1P	Plastic enclosed manual motor controller	7
EOT63U3P3-1P1	Plastic enclosed manual motor controller	7
EOT63U3P3-P	Plastic enclosed manual motor controller	7
EOT63U3P3-P1	Plastic enclosed manual motor controller	7
EOT63U3P4-1P	Plastic enclosed manual motor controller	7
EOT63U3P4-1P1	Plastic enclosed manual motor controller	7
EOT63U3P4-P	Plastic enclosed manual motor controller	7
EOT63U3P4-P1	Plastic enclosed manual motor controller	7
EOT63U3S4-M	Stainless steel enclosed manual motor controller	11
EOT63U3S4-P	Stainless steel enclosed manual motor controller	11
EOT63U4P4-1P	Plastic enclosed manual motor controller	8
OA1G01	Auxiliary contacts	13
OA1G10	Auxiliary contacts	13
OA2G11	Auxiliary contacts	13
OA7G10	Auxiliary contacts	13
OHB45L6	Pistol type handles, plastic	14
OHB65L6	Pistol type handles, plastic	14
OHBS2AJ	Selector type handles	14
OHM45L6	Pistol type handles, stainless steel	14
OHM65L6	Pistol type handles, stainless steel	14
OHY45L6	Pistol type handles, plastic	14

Index

Type	Description	Page
OHY65L6	Pistol type handles, plastic	14
OHYS2AJ	Selector type handles	14
OTPL125FP	Fourth poles	13
OTPL40FP	Fourth poles	13
OTPL60FP	Fourth poles	13
OTPL80FP	Fourth poles	13
OTPN125FP	Fourth poles	13
OTPN40FP	Fourth poles	13
OTPN60FP	Fourth poles	13
OTPN80FP	Fourth poles	13
OTPS125FP	Fourth poles	13
OTPS40FPN2	Fourth poles	13
OTPS60FP	Fourth poles	13
OTPS80FP	Fourth poles	13

